



### APPLICATIONS



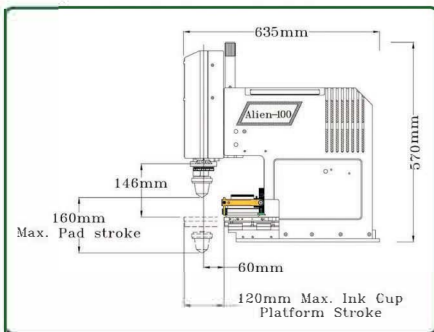
Stand alone with pad cleaning



2-station pneumatic Turntable



Automation in-line



6 or 8 Aliens on an indexing table



Alien-in-line

### FEATURES

- A high speed, user-friendly pad printer
- Rigid aluminium casting machine frame
- Pneumatic pad stroke
- Use sealed ink cup set up
- Compatible with long life, economy of Green plate, 10 mm steel plate, thin steel plate and polymer plate
- Dead-on printing plate registration for quick job change
- Fast setup, snap-on plate change
- Automatic pad cleaning with programmable cleaning cycle
- APS : Automatic pad stroke by optical scale
- Special functions: double ink / print cycles, dwell and delay before print
- European safety CE standard
- RS-232 communication system
- Hardened ground steel shaft with impregnated bushing ensure friction-free movement
- High speed and smooth machine operations

### SPECIFICATIONS

Ink cup size :	Ø90 mm
Plate size :	100 x 250 mm
Effective printing area :	40 x 60 mm
Pad stroke :	0-160 mm (optional scale system)
Speed : (dry cycle) *	4,000 cycles/hr.
Max. pad pressure :	480N at 6 bar
Power :	110/220V 50/60Hz 30W
Air consumption :	110 litre/min.
Size : L x W x H	635 x 420 x 570 mm
Weight :	40 Kg (approx.)

\*Please note that actual output may be affected by print requirement, ink drying condition, load/unload arrangement, pad stroke speed, pad hardness, production setup, product quality and production control.